



Brief Datasheet

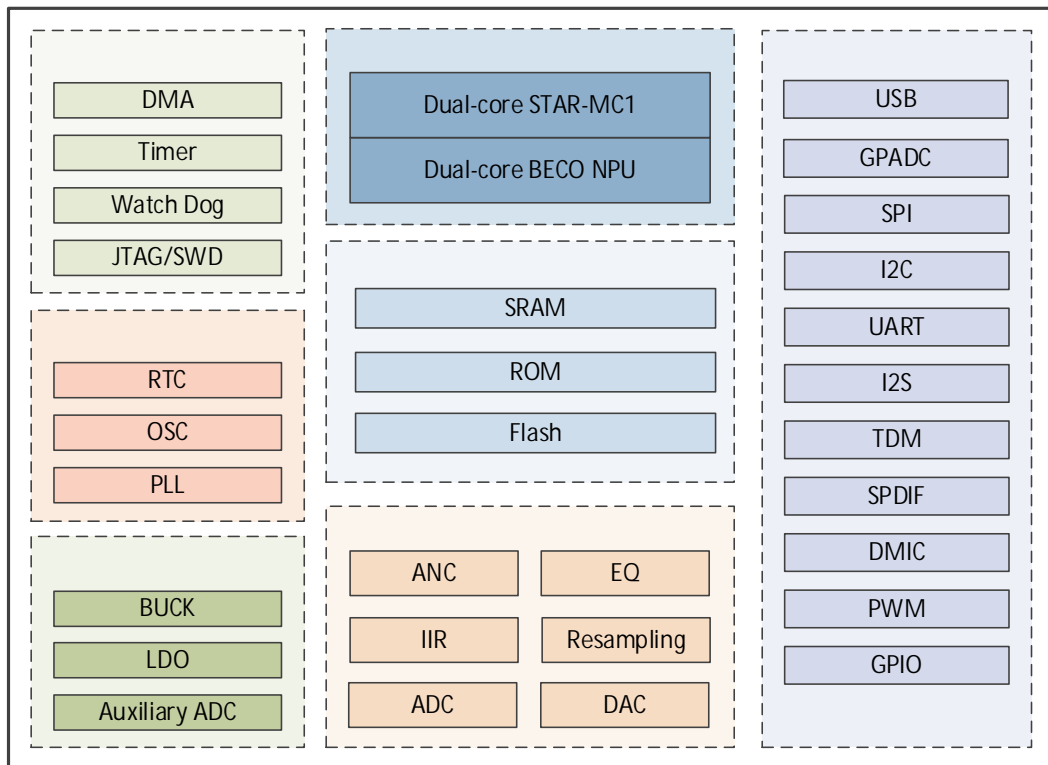
Ultra-low Power Type-C Audio Platform

CONTACT US

www.bestechnic.com

DISCLAIMER:

The BES3303-P1S is a single-chip audio codec designed for USB Type-C headphones / headsets. The signal path, from the analog input through the hardware DSP core to the analog output, is optimized for low latency and low noise performance. The platform incorporates an audio codec and a cap-less headphone driver, as well as a high performance dual-core STAR-MC1 processor with a dual-core BECO NPU, a BES proprietary coprocessor for advance signal processing and NN workloads, extensive software features and product customization. The BES3303-P1S is designed to minimize external components and reduce BOM costs. It is manufactured by using an advanced low-power CMOS process and assembled within a FCCSP package.



- Smart USB Type-C headphones/headsets with ANC
- Other portable audio devices

*

CPU Subsystem	Dual-core STAR-MC1
Memory and Storage	Shared 2.2 MB SRAM
	Flash in package boot ROM
Audio & Voice Features	2x DACs
	5x ADCs
Peripheral Interfaces	USB/GPADC/SPI/I2C/UART/I2S/TDM/SPDIF/DMIC/PWM/GPIO.....
Package	134-pin FCCSP

* The content in the table is subject to change without notice.